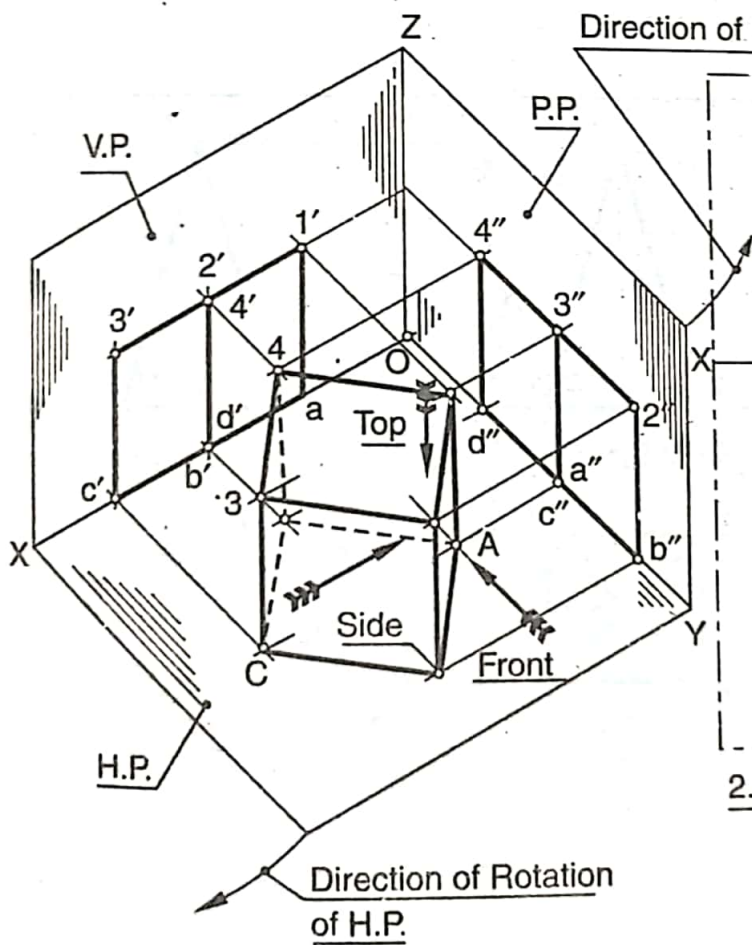
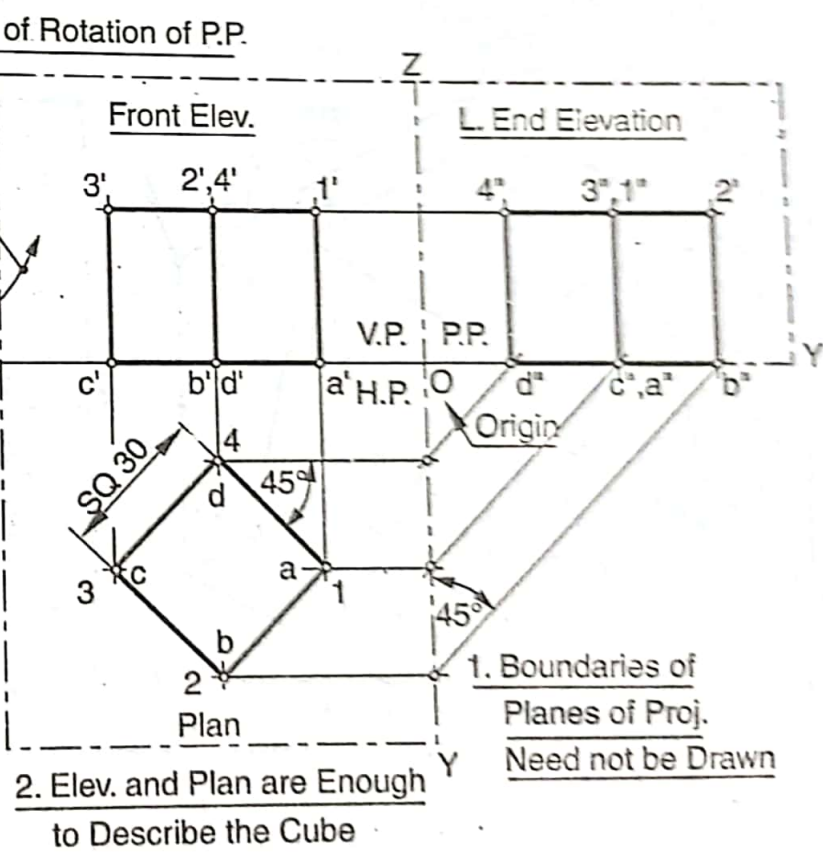


PROBLEM 13.1. *Draw the projections of a cube, edge 30 mm, resting on one of its faces in HP and with its vertical faces equally inclined to VP.*

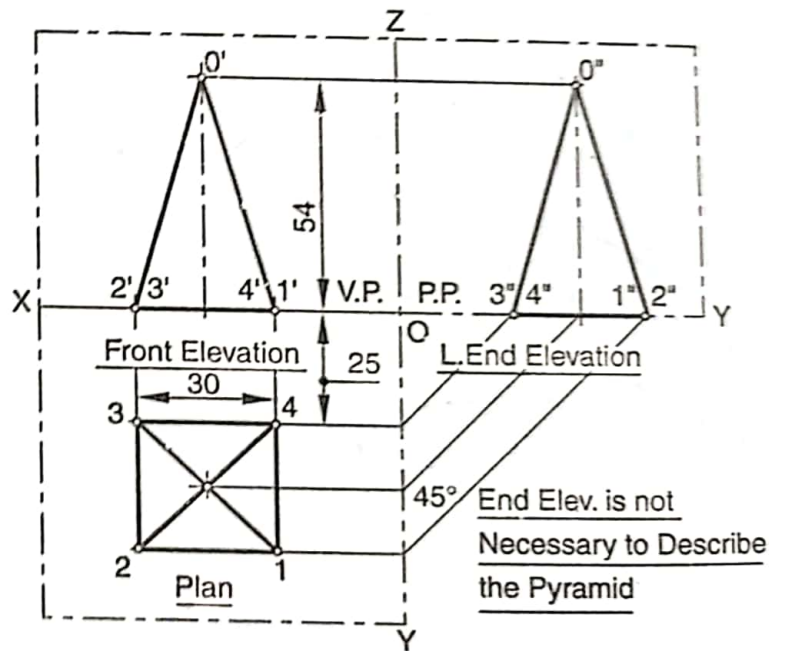
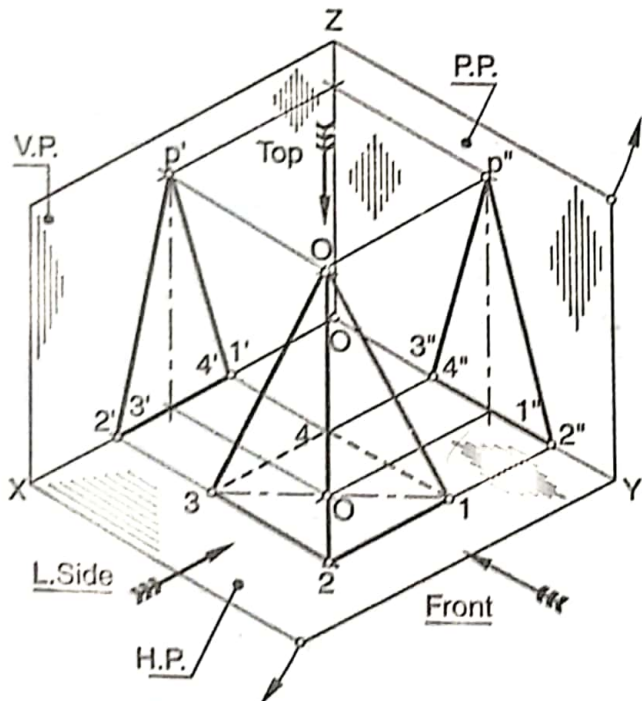


(a) Pictorial



(b) Orthographic

PROBLEM 13.2. *Draw the projections of a square pyramid, side of base 30 mm and height 54 mm, resting on its base on ground with its base on ground with one of its edges parallel to VP.*



When Projections are Drawn on only Two Principal Planes V.P. and H.P. Line XOY is Replaced by Line XY

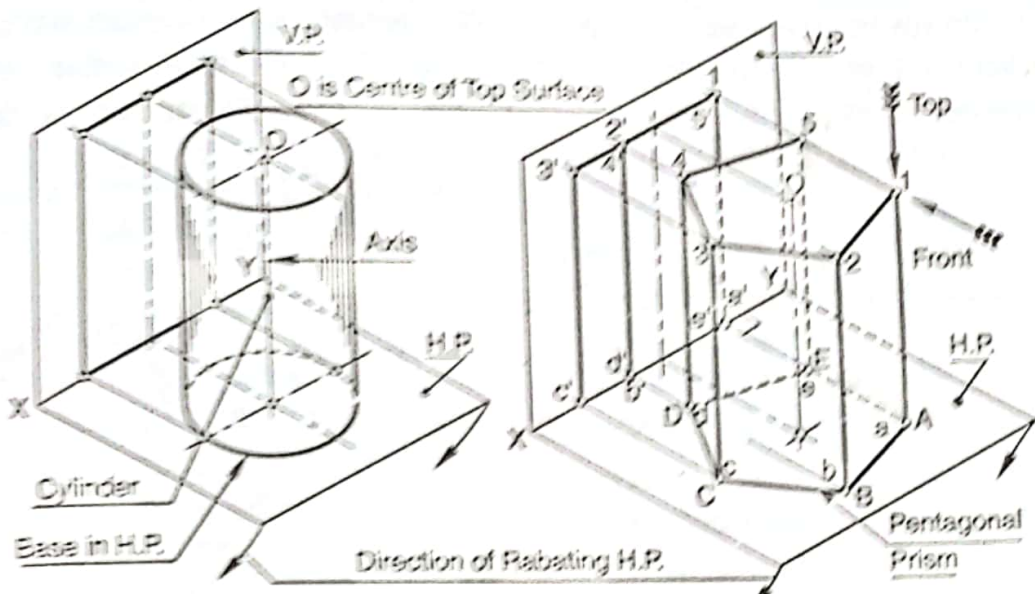
(a) Isometric

(b) Orthographic

Fig. 13.10.

PROBLEM 13.3. Draw the projections of the following solids, resting in HP on their bases as given, using common reference line.

1. A cylinder having 40 mm as base diameter and 55 mm height.
2. A pentagonal prism, edge of base 25 mm and 48 mm long, having one of its base edges perpendicular to VP.
3. A cone of 40 mm base diameter and height 55 mm.
4. A pentagonal pyramid, 25 mm edge and 48 mm height, with an edge of its base at 90° to VP.



Base ABCDE in H.P. and Vase Edge AE or Face 1AE5 Perp. to V.P.

